



VR EVO 8-Series Winches

Fast, Efficient, and Reliable Pulling Power!

Ideal for 2-door Jeeps and lighter SUVs for everyday pulls and getting yourself out of trouble. The VR EVO 8 and 8-S feature IP68-rated waterproof construction, an ultra-reliable Albright® contactor inside a relocatable control pack, and a state-of-the-art, two-in-one remote for added ease of use and versatility. With its fast line-speed and lower amp draw, the VR EVO series of winches are the hardest-working, standard-duty winches we've ever made, with tactical styling that looks great up front and at a price that won't pull you out of your budget.

- A powerful series-wound motor and planetary gear train deliver faster line speed under load with a lower amp draw.
- IP68-rated waterproof winch construction keeps the elements out.
- The high-performance Albright® contactor delivers maximum reliability.
- Control packs can be relocated for low-profile installations.
- Durable, one-piece, cast-aluminium tie-plate for added strength and durability
- A two-in-one remote with wired and wireless options for ease of use and versatility
- Available with wire or synthetic rope
- Limited lifetime warranty for mechanical parts and 7 years on the electrical
- Designed, engineered, and tested by WARN engineers in the U.S.A.



T1100024539

VR EVO 8 (8 mm x 27.4 m steel rope)

OVER
3 600 KG
CAPACITY

LIMITED LIFETIME
WARRANTY

T1100024540

VR EVO 8-S (9.5 mm x 27.4 m synthetic rope)



SPECIFICATIONS

Rated Line Pull: 3 629 kg

Motor: 12 Vdc, series wound

Electrical Controls: Albright® Contactor

Remote Control: 2-in-1 plug-in remote with wireless capability and 3.5 m lead

Gear Train: 3-stage planetary

Gear Ratio: 218:1

Clutch (freespooling): Rotating ring gear clutch

Brake: Spring Brake

Drum Diameter/ Length: Steel and Synthetic: 6.73 cm/23 cm

Weight:

Shipping Steel: 37.89 kg

Shipping Synthetic: 32.84 kg

Net Product Steel: 30.09 kg

Net Product Synthetic: 25.04 kg

Rope:

Steel: 8 mm x 27.4 m

Synthetic: 9.5 mm x 27.4 m

Fairlead: Steel: Roller, Synthetic: Die-cast Hawse-style

Recommended Battery: 650 CCA min. for winching

Battery Leads: 25 mm x 2 m

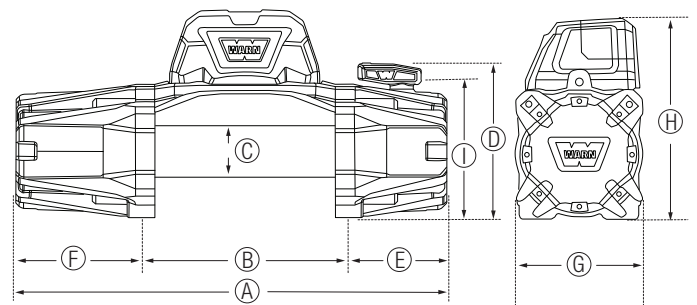
Finish: Powder coating over primer undercoating

Winch Dimensions: 534 (l) x 160.5 (d) x 256 (h) mm

Mounting Bolt Pattern: 254 mm x 114.3 mm

12 Vdc Performance Specs (first layer of drum)

Line Pull kg	Line Speed m/min.	Motor Current	Pull by Layer: Layer/kg
0	7.6	57 Amps	1/3 630
910	4.0	122 Amps	2/3 046
1810	2.9	183 Amps	3/2 625
2720	2.3	242 Amps	4/2 306
3630	1.8	298 Amps	



Ⓐ 534 mm	Ⓓ 191.4 mm	Ⓔ 160.5 mm
Ⓑ 254 mm	Ⓔ 123 mm	Ⓕ 256 mm
Ⓒ 64 mm	Ⓕ 157 mm	Ⓖ 172.4 mm

These products may not be stock items. Please speak to our sales representative about lead times. Lead times, price, and availability can only be determined on receipt of an official quote from our supplier. This can sometimes take up to 3 days.

Gauteng - Jet Park (HQ):

T: +27 (0)11 823 5650

Free State - Bloemfontein:

T: +27 (0)63 257 0505

Eastern Cape - Port Elizabeth:

T: +27 (0)82 450 6596

KwaZulu Natal - Pinetown:

T: +27 (0)31 303 4129

Mpumalanga - Middelburg:

T: +27 (0)13 692 8132

Northern Cape - Kathu:

T: +27 (0)53 723 3415

North West - Rustenburg:

T: +27 (0)14 596 5257

Western Cape - Cape Town:

T: +27 (0)21 945 1453

Botswana, Gaborone:

T: +267 399 4150

Botswana, Lethakane:

T: +267 297 8568

Mozambique, Tete:

T: +258 252 20666

Zambia, Kitwe:

T: +26 (0)21 222 5338



SCAN HERE to subscribe and receive our latest product news.

Follow us...



Call us today!
TRYSOME
AUTO-ELECTRICAL ENGINEERING

Delivering Optimal **Uptime!**

trading@trysome.co.za • www.trysome.co.za • PO Box 13677, Witfield 1467